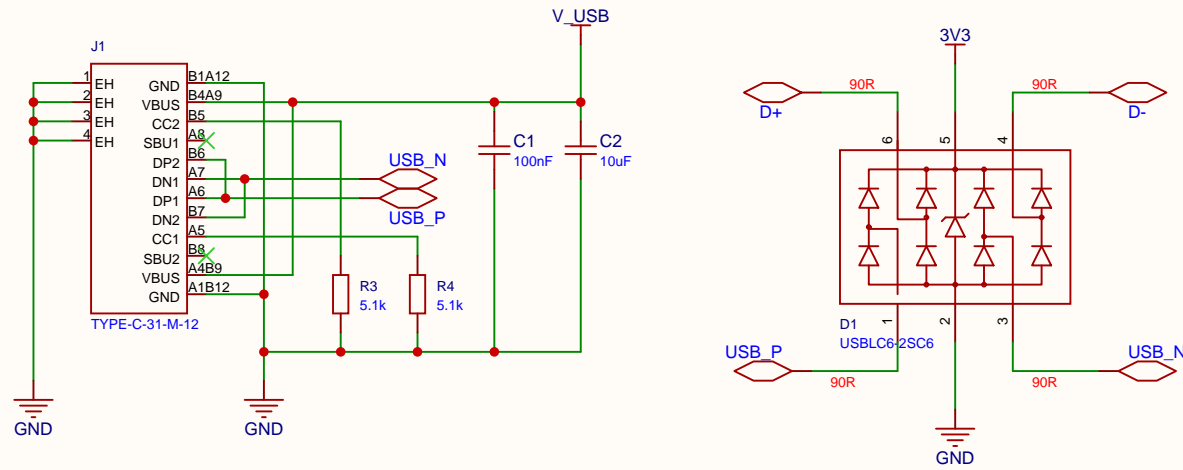
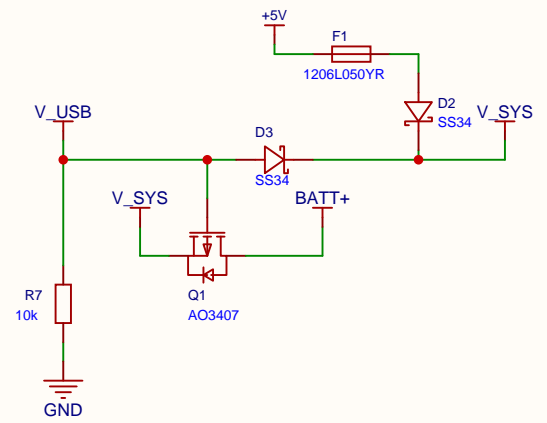


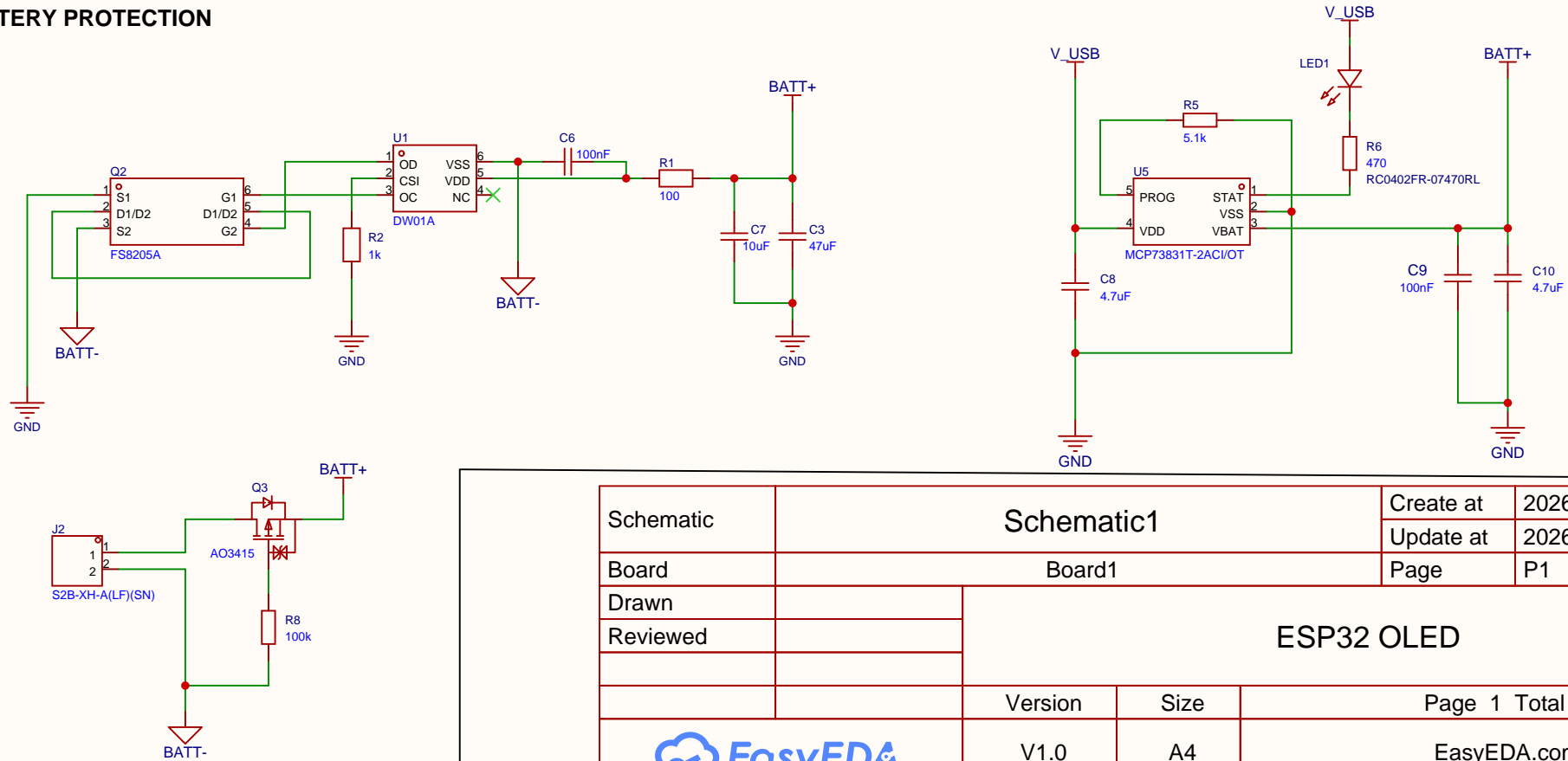
USB_C CONNECTION



POWER INPUT

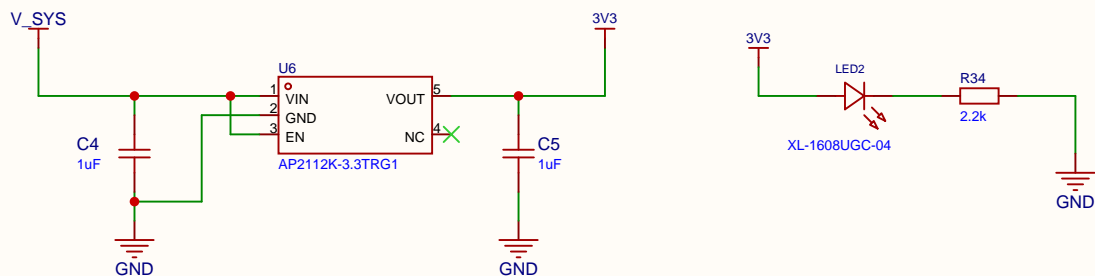


BATTERY PROTECTION

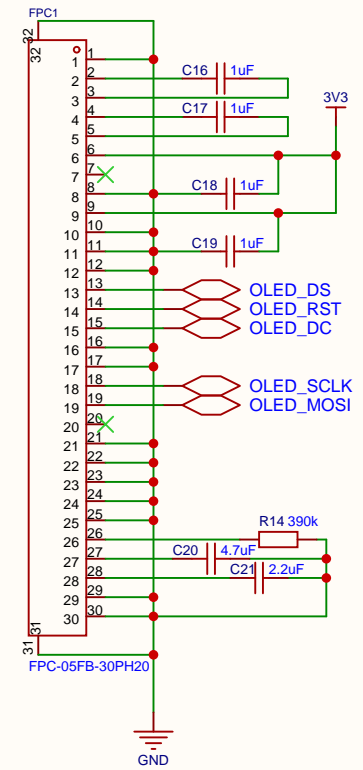


Schematic	Schematic1		Create at	2026-06-24
Board	Board1		Update at	2026-06-24
Drawn			Page	P1
Reviewed			ESP32 OLED	
	Version	Size	Page 1 Total 3	
	V1.0	A4	EasyEDA.com	

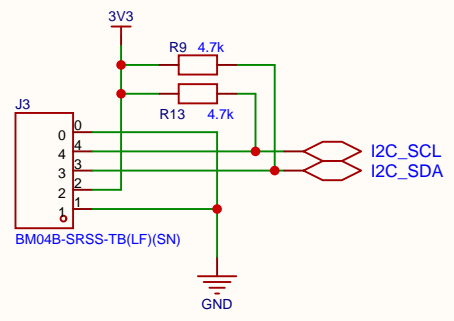
LDO



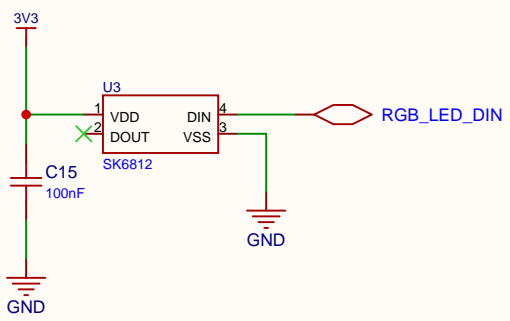
DISPLAY FPC HEADER



I2C CONNECTOR



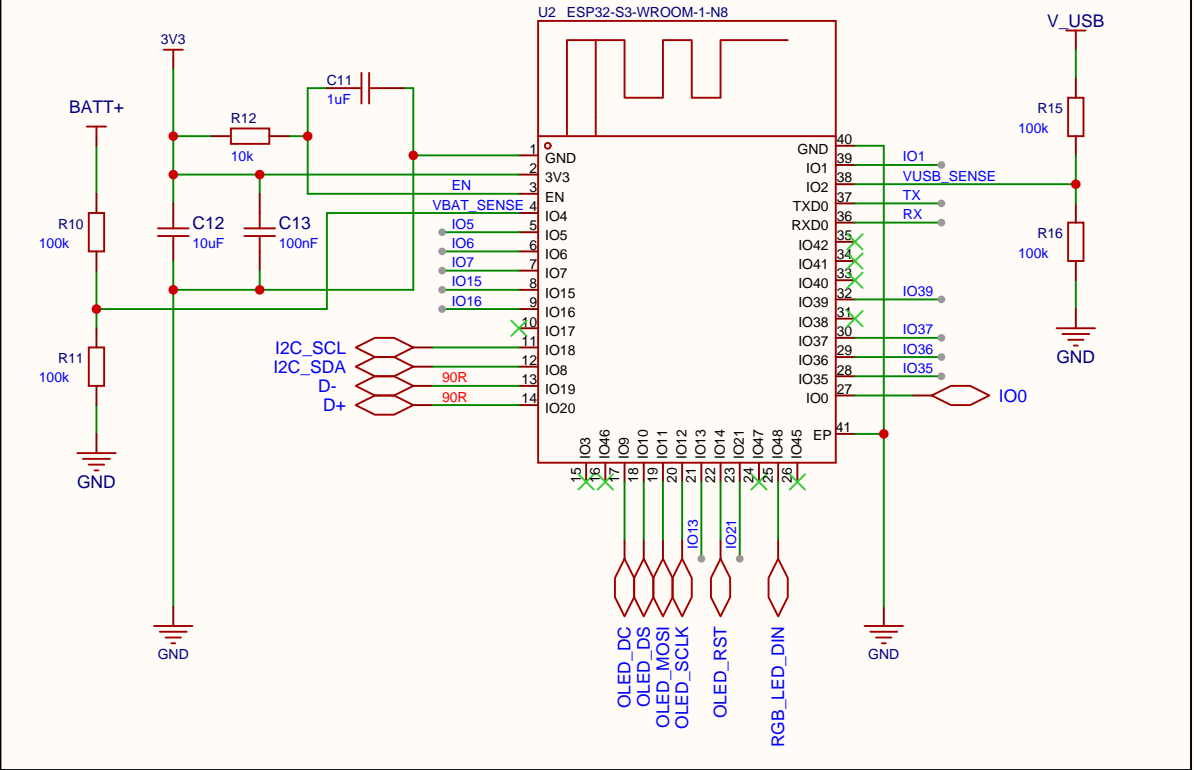
RGB LED



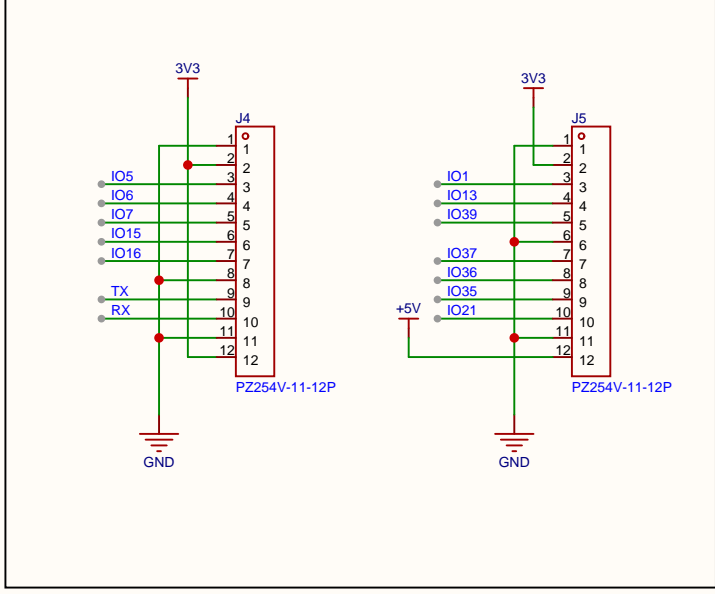
Schematic	Schematic1			Create at	2026-06-24
Board	Board1			Update at	2026-07-03
Drawn		ESP32 OLED			
Reviewed					
		Version	Size	Page 2 Total 3	
		V1.0	A4	EasyEDA.com	



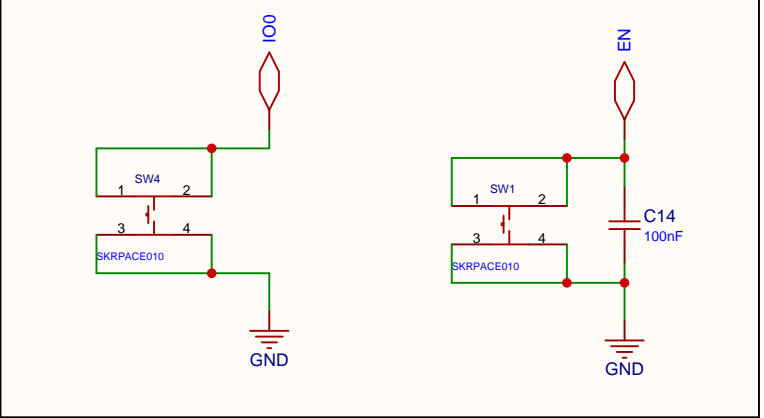
ESP32-S3



IO HEADER BREAKOUT



BOOT AND EN BUTTON



Schematic	Schematic1		Create at	2026-06-24
Board	Board1		Update at	2026-06-27
Drawn			Page	P3
Reviewed			ESP32 OLED	
	Version	Size	Page 3 Total 3	
	V1.0	A4	EasyEDA.com	

